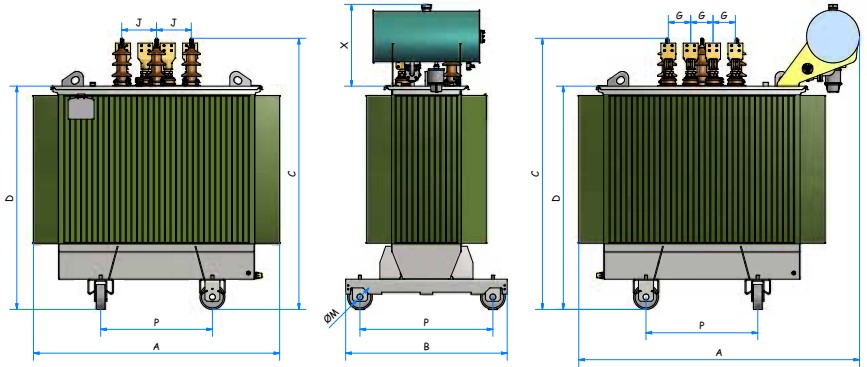


# Scheda Tecnica Eco Design Classe 12 kV e 24 kV Technical Data Sheet Eco Design Class 12 kV and 24 kV



Norme / Standards:	CEI EN 60076 - CEI EN 50588-1
Classe Isolamento (Aumento Temp. Olio - Awo.) / Insulating Class (Temp. Rise Oil - Winding):	A (60/65 K)
Classe Isolamento MV (Classe 12) / Insulation Class MV (Class 12):	12 kV FI 28 kV BIL 75 kV
Classe Isolamento MV (Classe 24) / Insulation Class MV (Class 24):	24 kV FI 50 kV BIL 125 kV
Classe Isolamento LV / Insulation Class LV:	1,1 kV FI 3 kV
Frequenza / Frequency:	50 Hz
Regolazione MV / Tappings MV:	± 4% or ± 2 x 2,5%
Tolleranza / Tolerance:	Tolleranza zero sulle perdite / No tolerance on the losses

## CLASS 12 kV

Power kVA	P <sub>0</sub> W	P <sub>cc</sub> (75 °) W	U <sub>k</sub> (75 °) %	LwA dB(A)	Total Weight Kg	Oil Weight Kg	A mm	B mm	C mm	D mm	M mm	P mm	J mm	G mm
50	A <sub>0</sub> 90	C <sub>k</sub> 1100	4	39	650	140	870	750	1180	870	125	520	220	90
100	A <sub>0</sub> 145	C <sub>k</sub> 1750	4	41	710	170	930	750	1240	930	125	520	220	90
160	A <sub>0</sub> 210	C <sub>k</sub> 2350	4	44	850	170	930	760	1300	990	125	520	220	90
200	A <sub>0</sub> 250	C <sub>k</sub> 2750	4	44	950	180	960	810	1300	990	125	520	220	100
250	A <sub>0</sub> 300	C <sub>k</sub> 3250	4	47	1070	210	960	850	1400	1090	125	520	220	100
315	A <sub>0</sub> 360	C <sub>k</sub> 3900	4	49	1200	210	990	870	1400	1090	125	670	220	100
400	A <sub>0</sub> 430	C <sub>k</sub> 4600	4	50	1470	280	1090	860	1560	1250	125	670	220	100
500	A <sub>0</sub> 510	C <sub>k</sub> 5500	4	51	1610	290	1090	900	1560	1250	125	670	220	100
630	A <sub>0</sub> 600	C <sub>k</sub> 6500	4	52	1930	330	1150	1000	1600	1290	125	670	220	100
630	A <sub>0</sub> 600	C <sub>k</sub> 6500	6	52	1820	300	1150	1000	1560	1250	125	670	220	100
800	A <sub>0</sub> 650	C <sub>k</sub> 8400	6	53	2210	390	1510	940	1680	1370	125	670	220	100
1000	A <sub>0</sub> 770	C <sub>k</sub> 10500	6	55	2570	420	1600	1090	1790	1480	160	820	220	100
1250	A <sub>0</sub> 950	B <sub>k</sub> 11000	6	56	3090	490	1640	1090	1830	1520	160	820	220	100
1600	A <sub>0</sub> 1200	B <sub>k</sub> 14000	6	58	3570	560	1790	1140	1950	1610	160	820	220	180
2000	A <sub>0</sub> 1450	B <sub>k</sub> 18000	6	58	4100	690	1850	1150	1990	1650	200	820	220	180
2500	A <sub>0</sub> 1750	B <sub>k</sub> 22000	6	60	4830	810	2040	1350	2050	1650	200	820	220	220
3150	A <sub>0</sub> 2200	B <sub>k</sub> 27500	6	63	6500	1270	2450	1340	2350	1950	200	1070	220	220

## CLASS 24 kV

Power kVA	P <sub>0</sub> W	P <sub>cc</sub> (75 °) W	U <sub>k</sub> (75 °) %	LwA dB(A)	Total Weight Kg	Oil Weight Kg	A mm	B mm	C mm	D mm	M mm	P mm	J mm	G mm
50	A <sub>0</sub> 90	C <sub>k</sub> 1100	4	39	700	140	870	750	1260	880	125	520	280	90
100	A <sub>0</sub> 145	C <sub>k</sub> 1750	4	41	770	180	930	750	1370	990	125	520	280	90
160	A <sub>0</sub> 210	C <sub>k</sub> 2350	4	44	930	180	960	770	1370	990	125	520	280	90
200	A <sub>0</sub> 250	C <sub>k</sub> 2750	4	44	1050	200	990	830	1370	990	125	520	280	100
250	A <sub>0</sub> 300	C <sub>k</sub> 3250	4	47	1160	220	1020	820	1480	1100	125	520	280	100
315	A <sub>0</sub> 360	C <sub>k</sub> 3900	4	49	1320	250	1090	860	1520	1140	125	670	280	100
400	A <sub>0</sub> 430	C <sub>k</sub> 4600	4	50	1530	290	1090	880	1630	1250	125	670	280	100
500	A <sub>0</sub> 510	C <sub>k</sub> 5500	4	51	1720	300	1090	930	1630	1250	125	670	280	100
630	A <sub>0</sub> 600	C <sub>k</sub> 6500	4	52	2010	350	1150	920	1760	1380	125	670	280	100
630	A <sub>0</sub> 600	C <sub>k</sub> 6500	6	52	2010	370	1210	940	1710	1330	125	670	280	100
800	A <sub>0</sub> 650	C <sub>k</sub> 8400	6	53	2380	430	1270	1060	1760	1380	125	670	280	100
1000	A <sub>0</sub> 770	C <sub>k</sub> 10500	6	55	2840	480	1580	1090	1950	1570	160	820	280	100
1250	A <sub>0</sub> 950	B <sub>k</sub> 11000	6	56	3280	540	1660	1090	1950	1570	160	820	280	100
1600	A <sub>0</sub> 1200	B <sub>k</sub> 14000	6	58	3820	600	1780	1140	1990	1610	160	820	280	180
2000	A <sub>0</sub> 1450	B <sub>k</sub> 18000	6	58	4390	730	1870	1180	2030	1650	200	820	280	180
2500	A <sub>0</sub> 1750	B <sub>k</sub> 22000	6	60	5250	900	2010	1340	2150	1750	200	820	280	220
3150	A <sub>0</sub> 2200	B <sub>k</sub> 27500	6	63	6700	1320	2500	1340	2350	1950	200	1070	280	220